

Straight Jet Spray Nozzle

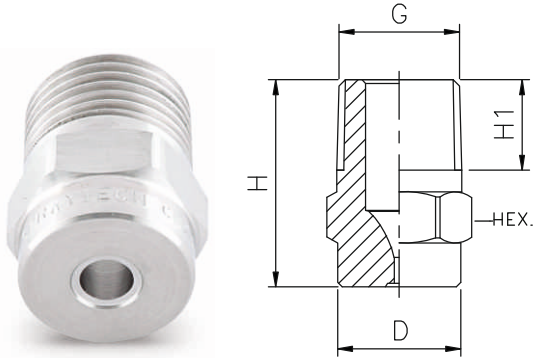


APPLICATION

- Paper cutting
- Paper slitting
- Component Washing machines
- Vehicles washing machines
- Floor washing machine

CL Series Straight Jet Spray Nozzle

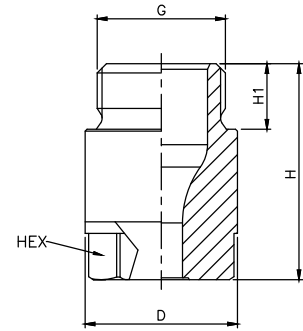
CL



Design for : 1/8", 1/4", 3/8" & 1/2"



Design for : 3/4" & 1"

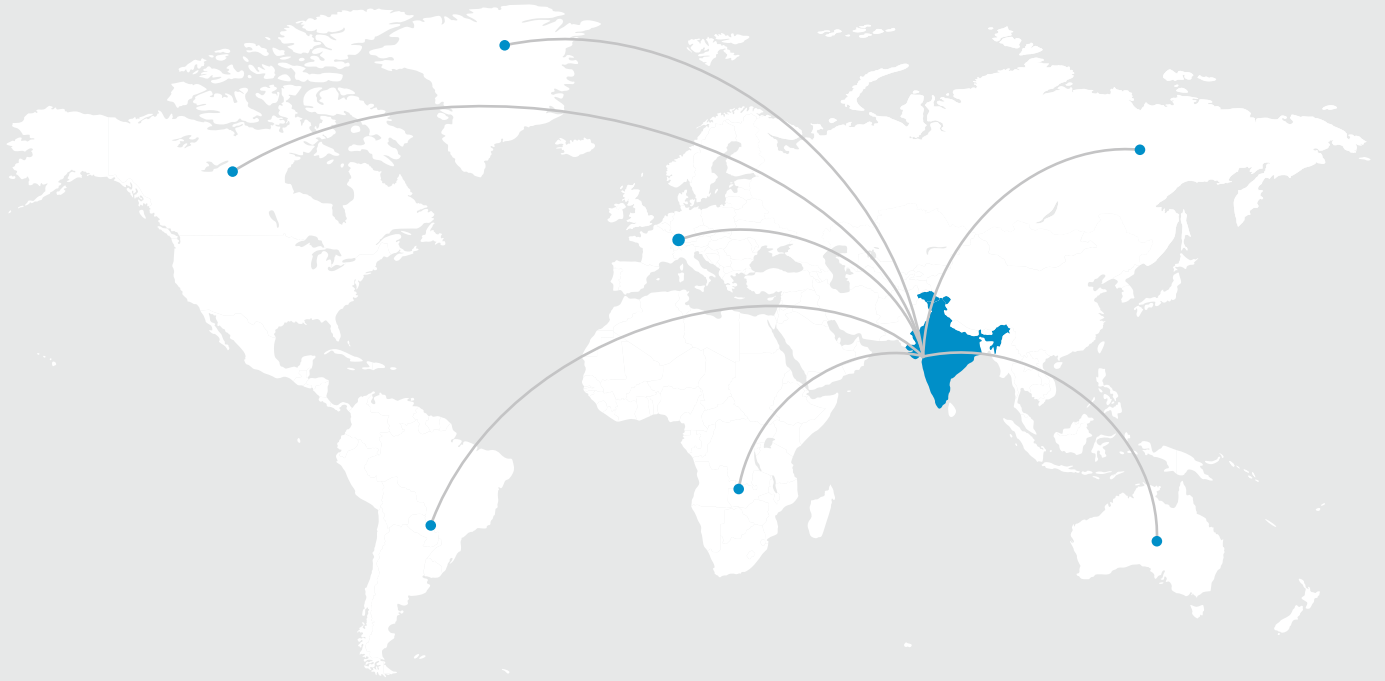


Compact stream jet with a defined jet length owing to optimum flow geometry. Flow conditions are not affected by turbulence. A concentrated jet with high impact force is achieved. This is used for powerful punctiform impact, wherever concentrated jet power is vital.

- Characteristic :** A high efficiency and economical performance is obtained.
- Design :** One Piece Construction.
- Application :** For High pressure cleaning systems, Jet Cutting and separating.
- Features :** Optimized flow maximum jet power concentrated energy.

0° SPRAY ANGLE	CONNECTION END						ORIFICE SIZE (mm)	FLOW CAPACITY IN LPM AT DIFFERENT PRESSURE							G/A DIMENSION. MM				
	1/8"	1/4"	3/8"	1/2"	3/4"	1"		PRESSURE [BAR]							CONN.	H	H1	D	HEX
MODEL NO.	BSP	BSP	BSP	BSP	BSP	BSP		0.5	1.0	2.0	3.0	5.0	7.0	10.0					
CL10.100	●	●					1.1	0.50	0.71	1.00	1.22	1.58	1.87	2.24	1/8"	18	6.5	10.2	11
CL10.150	●	●					1.3	0.75	1.06	1.50	1.84	2.37	2.81	3.35	Weight (Metals) = 10 gms. Approx				
CL10.175	●	●					1.4	0.87	1.24	1.75	2.14	2.77	3.27	3.91	1/4"	22	10	13	14
CL10.200	●	●					1.5	1.00	1.41	2.00	2.45	3.16	3.74	4.47	Weight (Metals) = 18 gms. Approx				
CL10.250	●	●					1.7	1.25	1.77	2.50	3.06	3.95	4.68	5.59	3/8"	25	12	16	17
CL10.300	●	●					2.1	1.50	2.12	3.00	3.67	4.74	5.61	6.71	Weight (Metals) = 30 gms. Approx				
CL10.350	●	●	●				2.0	1.75	2.47	3.50	4.29	5.53	6.55	7.83	1/2"	32	13.2	21	22
CL10.400	●	●	●				2.1	2.00	2.83	4.00	4.90	6.32	7.48	8.94	Weight (Metals) = 60 gms. Approx				
CL10.475	●	●	●				2.3	2.37	3.36	4.75	5.82	7.51	8.89	10.62	3/4"	42	14.5	32	27
CL10.650		●	●				2.7	3.25	4.60	6.50	7.96	10.28	12.16	14.53	Weight (Metals) = 133 gms. Approx				
CL10.800		●	●				3.0	4.00	5.66	8.00	9.80	12.65	14.97	17.89	1"	56	16.8	39	36
CL20.100		●	●				3.4	5.00	7.07	10.00	12.25	15.81	18.71	22.36	Weight (Metals) = 328 gms. Approx				
CL20.125		●	●				3.7	6.25	8.84	12.50	15.31	19.76	23.39	27.95					
CL20.160		●	●				4.2	8.00	11.31	16.00	19.60	25.30	29.93	35.78					
CL20.180		●	●				5.2	9.00	12.73	18.00	22.05	28.46	33.67	40.25					
CL20.200		●	●				4.7	10.00	14.14	20.00	24.49	31.62	37.42	44.72					
CL20.225		●	●				5.0	11.25	15.91	22.50	27.56	35.58	42.09	50.31					
CL20.250		●	●	●	●		5.3	12.50	17.68	25.00	30.62	39.53	46.77	55.90					
CL20.320			●	●	●		6.0	16.00	22.63	32.00	39.19	50.60	59.87	71.55					
CL20.400			●	●	●		6.7	20.00	28.28	40.00	48.99	63.25	74.83	89.44					
CL20.520				●	●	●	7.6	26.00	36.77	52.00	63.69	82.22	97.28	116.28					
CL20.650				●	●	●	8.5	32.50	45.96	65.00	79.61	102.77	121.60	145.34					
CL20.720					●	●	9.0	36.00	50.91	72.00	88.18	113.8	134.7	161.00					
CL20.800					●	●	9.5	40.00	56.57	80.00	97.98	126.49	149.67	178.89					
CL30.100					●	●	10.6	50.00	70.71	100.0	122.47	158.11	187.08	223.61					
CL30.118					●	●	11.5	59.00	83.44	118.0	144.52	186.57	220.76	263.86					
CL30.130					●	●	12.1	65.00	91.92	130.0	159.22	205.55	243.21	290.69					
CL30.160					●	●	13.4	80.00	113.14	160.0	195.96	252.98	299.33	357.77					

End Connection : X – BSP, Y - BSPT, Z – NPT Available.



OUR BRANCHES

Regd. Office (Mumbai) :

Spraytech House, Plot A-132, Road No. 23, Spraytech Circle,
Wagle Indl. Estate, Thane (W) - 400 604. Mumbai Maharashtra, (India)
Tel. : 91-022-2582 8929 / 2735 / 2736
E-mail :- sales@spraytechindia.com
sales1@spraytechindia.com

Rabale Plant 1 (Navi Mumbai) :

Spraytech Systems (I) Pvt. Ltd., Plot No.: R-513, MIDC, TTC Industrial
Area, Rabale, Navi Mumbai - 400 701.

Rabale Plant 2 (Navi Mumbai) :

R-446, T.T.C. Industrial Area, MIDC Rabale,
Navi Mumbai - 400 701.

Branch Office (Pune) :

White House, Survey no. 161, Near
Bhosale Garden Hadapsar, Pune 411028

Indapur Plant (Pune) :

Spraytech Systems (I) Pvt. Ltd., Plot No.: A-5, Indapur Five Star
Industrial Area, Village - Loni Devkar Balpudi, Tal. - Indapur,
Dist. - Pune. - 413132

